

Vibe SIRIUS/AM/FM Tuner Module

TM1-1S | TM1-2S | TM1-1SK | TM1-2SK

Colorado
vNet[®]
Life Simplified™



Radio is an essential component in any home entertainment system, and Vibe delivers it seamlessly with the SIRIUS/AM/FM Tuner Module. Designed to be located for best reception or antenna access, the Tuner Module connects to the Vibe™ Audio System via CAT5E and can be powered over the CAT5E or with a DC adaptor. Its modular design eliminates the need for extra rack space normally reserved for large receivers, while providing all the features you would expect from a professional tuner, and then some.

Add over 130 channels of SIRIUS® satellite radio to your Vibe system with the SIRIUS/AM/FM Tuner Module and an optional SiriusConnect™ Home Tuner and antenna. Easily navigate your options on any Vibe Color Touchscreen with dynamic metadata, channel and category tuning, 18 programmable presets, direct tuning, and channel/category browsing. Two models are available, supporting either single or dual tuners.

The Tuner Module also provides a quick and easy way to incorporate terrestrial radio into the Vibe system. With 24 programmable presets, selecting your favorite broadcast stations from the Color Touchscreen was never more fun.

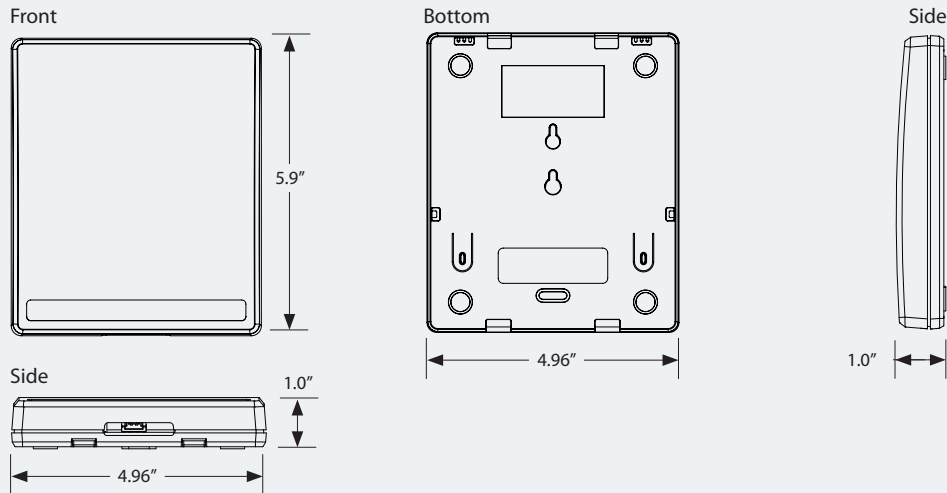
Primary Features

- Single (TM1-1S) or dual (TM1-2S) internal AM/FM tuner(s) and SIRIUS tuner port(s)
- Single (TM1-1SK) or dual (TM1-2SK) internal AM/FM tuner(s) and included SiriusConnect Home Tuner(s)
- Single cable between module and SiriusConnect Home Tuner provides control, audio and tuner power
- 18 presets per SIRIUS tuner
- 24 presets per AM/FM tuner
- Metadata for both SIRIUS and AM/FM tuners (RBDS or RDS FM Metadata where available)
- Single (TM1-1S) or dual (TM1-2S) AM indoor loop antenna provided
- Single (shared for TM1-2S) FM indoor dipole 300 Ohm antenna and 300 Ohm to 75 Ohm twin-lead to coax adaptor provided

Vibe SIRIUS/AM/FM Tuner Module

TM1-1S | TM1-2S | TM1-1SK | TM1-2SK

Drawing



Electrical	Input Voltage and Current	48VDC, 400mA
Physical	HxWxD Weight	5.9"x4.96"x1.0" (14.99cm x12.60cm x2.54cm) 8.5 oz
Environment	Operating Temperature	0 deg C to 40 deg C (32 deg F to 104 deg F)
General	Audio Format (output)	PCM over IP
	FM Tuner	
	Frequency range	76MHz -108MHz
	Channel spacing	50, 100 or 200kHz
	Sensitivity	1.1 µV
	Signal-to-noise ratio	58 dB (stereo)
	Selectivity	50 dB
	THD (1 kHz)	0.1%
	De-emphasis	50 or 75 µs
	AM Tuner	
	Frequency range	520kHz - 1710kHz
	Channel spacing	9 or 10kHz
	Sensitivity	38 µV
	Signal-to-noise ratio	56 dB
	THD (1 kHz)	0.1%
	Standards/Approvals	FCC Class B IEEE 803.af (POE) compliant CISPR22
	Buttons	Commissioning/reset button
	Indicators	Commissioning LED Network Status LED
Connectors	SiriusConnect Home Tuner	8-pin DIN (1 or 2)
	AM Antenna	6-20 µH, Phoenix screw terminals (1 or 2)
	FM Antenna	300 Ohm, screw terminals
	Power	Female Phoenix connector
	Data	RJ-45
Accessories	AM Loop Antenna	Included (1 or 2)
	FM Dipole Antenna and Transformer	Included
	Power Supply	Included, 48vDC
Patents	7,089,066 and other patents pending	